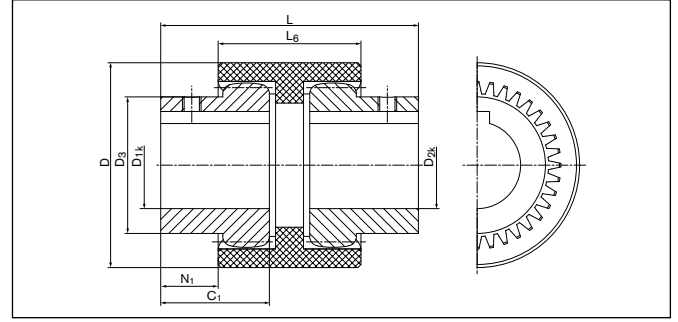


ECT 6418 ECOLOC

Tooth couplings



Sectional view

Dimensions

NA = Hub design

d_{1kmin} = Min. bore diameter with keyway

d_{1kmax} = Max. bore diameter with keyway

d_{2kmin} = Min. bore diameter with keyway

d_{2kmax} = Max. bore diameter with keyway

C₁ = Guided length in shaft boring

D = Outer diameter

D₃ = Hub outer diameter

L = Total length of coupling

L₆ = Length of basic part

N₁ = Overhang hub

Metric dimensions

Size	NA	d _{1kmin} -d _{1kmax}	d _{2kmin} -d _{2kmax}	C ₁	D	D ₃	L	L ₆	N ₁
		mm	mm	mm	mm	mm	mm	mm	mm
14	1a	6 - 14	6 - 14	23	40	24	50	37	6,5
14	1b	6 - 14	6 - 14	40	40	24	84	37	23,5
19	1a	8 - 19	8 - 19	25	48	30	54	37	6,5
19	1b	8 - 19	8 - 19	40	48	30	84	37	23,5
24	1a	10 - 24	10 - 24	26	52	36	56	41	7,5
24	1b	10 - 24	10 - 24	50	52	36	104	41	31,5
28	1a	10 - 28	10 - 28	40	66	44	84	46	19
28	1b	10 - 28	10 - 28	55	66	44	114	46	34
32	1a	12 - 32	12 - 32	40	76	50	84	48	18
32	1b	12 - 32	12 - 32	55	76	50	114	48	33
38	1a	14 - 38	14 - 38	40	83	58	84	48	18
38	1b	14 - 38	14 - 38	60	83	58	124	48	38
42	1a	20 - 42	20 - 42	42	92	65	88	50	19
42	1b	20 - 42	20 - 42	60	92	65	124	50	37
48	1a	20 - 48	20 - 48	50	95	67	104	50	50
48	1b	20 - 48	20 - 48	60	95	67	124	50	37
55	1a	25 - 55	25 - 55	52	114	82	108	58	25
55	1b	25 - 55	25 - 55	65	114	82	134	58	38
65	1a	25 - 65	25 - 65	55	132	95	114	68	23
65	1b	25 - 65	25 - 65	70	132	95	144	68	38

Hub design

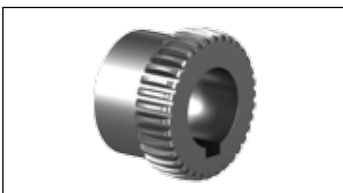


Figure hub 1a



Figure hub 1b

Hub design combinable.
Optional with or without hole possible.

Available are single hubs, toothed sleeves
or complete couplings.

Tooth couplings

ECT 6418 ECOLOC

Technical Data

T_{KN} =	Nom. transmissible torque at d_{wmax}	ΔKw =	Max. permissible angular misalignment
T_{max} =	Max. transmissible torque	ΔKa =	Max. permissible axial misalignment
n_{max} =	Max. rotation speed	J =	Total moment of inertia
ΔKr =	Max. permissible radial misalignment	Gw =	Weight

Technical Data									
Size	NA	T _{KN}	T _{max}	n _{max}	ΔKr	ΔKw	ΔKa	J	Gw
		Nm	Nm	1/min	mm	Grad	mm	10 ⁻³ Kgm ²	kg
14	1a	10	20	14.000	+/-0.3	+/-1	+/-1	0.023	0.14
14	1b	10	20	14.000	+/-0.3	+/-1	+/-1	0.023	0.22
19	1a	16	32	11.800	+/-0.3	+/-1	+/-1	0.042	0.21
19	1b	16	32	11.800	+/-0.3	+/-1	+/-1	0.042	0.29
24	1a	20	40	10.600	+/-0.35	+/-0.9	+/-1	0.084	0.25
24	1b	20	40	10.600	+/-0.35	+/-0.9	+/-1	0.084	0.46
28	1a	45	90	8.500	+/-0.35	+/-0.9	+/-1	0.28	0.62
28	1b	45	90	8.500	+/-0.35	+/-0.9	+/-1	0.28	0.83
32	1a	60	120	7.500	+/-0.35	+/-0.9	+/-1	0.49	0.83
32	1b	60	120	7.500	+/-0.35	+/-0.9	+/-1	0.49	1.09
38	1a	80	160	6.700	+/-0.4	+/-0.9	+/-1	0.78	1.04
38	1b	80	160	6.700	+/-0.4	+/-0.9	+/-1	0.78	1.49
42	1a	100	200	6.000	+/-0.4	+/-0.9	+/-1	1.29	1.41
42	1b	100	200	6.000	+/-0.4	+/-0.9	+/-1	1.29	1.94
48	1a	140	280	5.600	+/-0.4	+/-0.9	+/-1	1.65	1.43
48	1b	140	280	5.600	+/-0.4	+/-0.9	+/-1	1.65	1.89
55	1a	240	480	4.800	+/-0.4	+/-0.8	+/-1	4.16	2.5
55	1b	240	480	4.800	+/-0.4	+/-0.8	+/-1	4.16	3
65	1a	380	760	4.000	+/-0.45	+/-0.7	+/-1	8.46	3.1
65	1b	380	760	4.000	+/-0.45	+/-0.7	+/-1	8.46	4.5

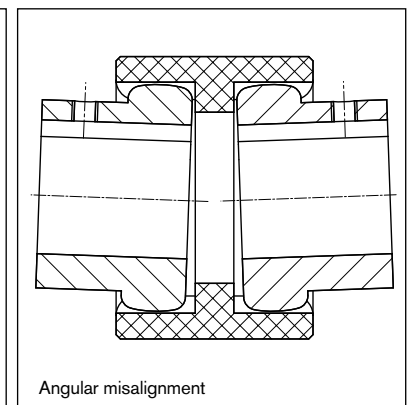
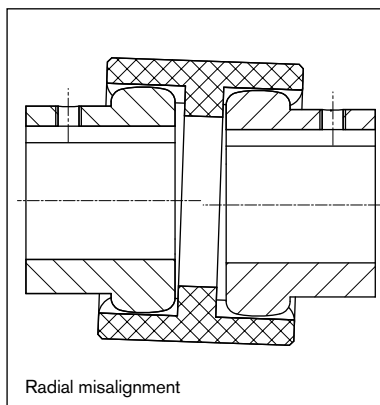
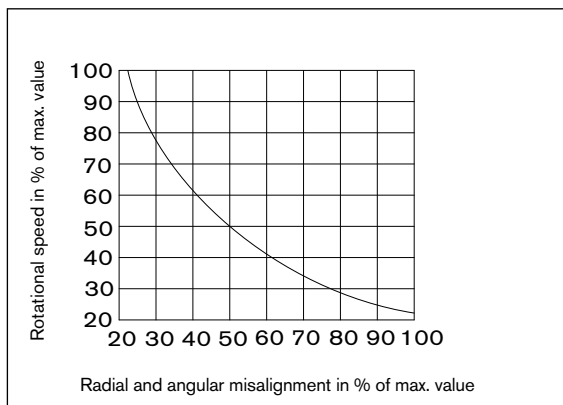
The torque values shown in the technical data tables can only be safely transmitted, if all instructions are followed.

Ordering example: ECT 6418 ECOLOC

Type, Size	NA	Bore diameter d _{1kmin}	NA	Bore diameter d _{2kmin}
ECT 6418-24	1a	18	1b	20

Characteristics

- Hubs made of steel · Internally toothed sleeve made of polyamide
- The shaft tolerance should be within the fit tolerance „g6“ or „h7“
- Keyways according to DIN 6885-1



Subject to technical changes.