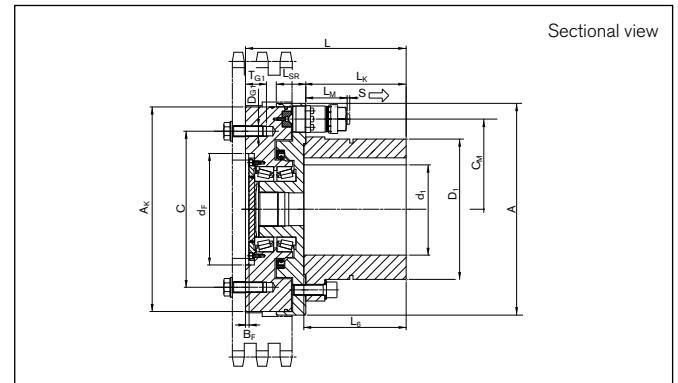


TSCHAN® Backlash-free Safety Couplings

Type TNT 2420

with flange-hub and keyway-hub


Dimensions / Technical data

n_M = Number of modules	A = Max. outer diameter	L = Overall length
MO = Modul version	A_K = Outer contour	L₆ = Length of basic part
d_{1kmin} = Min. bore diameter with keyway acc. DIN 6885-1	B_F = Available depth	L_K = Length of coupling hub
d_{1kmax} = Max. bore diameter with keyway acc. DIN 6885-1	C = Pitch circle diameter	L_M = Protruding module length
T_{KNmin} = Min. adjustment value for transmissible torque	C_M = Pitch circle diameter of module range	L_{SR} = Outer length shift ring
T_{KNmax} = Max. adjustment value for transmissible torque	d_F = Center diameter	S = Disengagement travel
	D₁ = Outer diameter hub	n_{max} = Max. rotation speed
	T_{G1} = Depth of thread G1	Gw = Weight
	D_{G1} = Thread	

Size	n _M	MO	d _{1kmin}	d _{1kmax}	T _{KNmin}	T _{KNmax}	A	A _K	B _F	C	C _M	d _F	D ₁	T _{G1}	D _{G1}	L	L ₆	L _K	L _M	L _{SR}	S	n _{max}	Gw
	pcs.		mm	mm	Nm	Nm	mm	mm	mm	mm	mm	mm	mm	mm	mm	mm	mm	mm	mm	mm	mm	1/min	kg
058-090	4	a	25	90	670	1.950	200	190	4,5	162	154	110	120	24	12xM12	180	92	102	63	40	4	3.000	40
058-090	4	b	25	90	1.350	3.900	200	190	4,5	162	154	110	120	24	12xM12	180	92	102	63	40	4	3.000	40
058-090	4	c	25	90	2.000	5.800	200	190	4,5	162	154	110	120	24	12xM12	180	92	102	63	40	4	3.000	40
110-120	3	a	40	120	640	1.850	242	234	5,5	200	194	140	165	24	12xM12	200	119	116	63	40	4	2.700	48
110-120	3	b	40	120	1.850	5.500	242	234	5,5	200	194	140	165	24	12xM12	200	119	116	63	40	4	2.700	48
110-120	6	a	40	120	3.850	11.000	242	234	5,5	200	194	140	165	24	12xM12	200	119	116	63	40	4	2.700	48
227-160	3	a	55	160	880	2.600	312	300	5,5	250	266	170	214	32	12xM16	245	156	153	63	45	4	2.300	95
227-160	3	b	55	160	2.600	7.550	312	300	5,5	250	266	170	214	32	12xM16	245	156	153	63	45	4	2.300	95
227-160	6	a	55	160	5.300	15.200	312	300	5,5	250	266	170	214	32	12xM16	245	156	153	63	45	4	2.300	95
227-160	9	a	55	160	7.900	22.700	312	300	5,5	250	266	170	214	32	12xM16	245	156	153	63	45	4	2.300	95
424-200	3	a	70	200	1.200	3.550	420	410	6,5	334	372	200	262	34	12xM20	292	196	193	63	45	4	1.900	180
424-200	3	b	70	200	3.550	10.600	420	410	6,5	334	372	200	262	34	12xM20	292	196	193	63	45	4	1.900	180
424-200	6	a	70	200	7.350	21.200	420	410	6,5	334	372	200	262	34	12xM20	292	196	193	63	45	4	1.900	180
424-200	9	a	70	200	11.000	31.800	420	410	6,5	334	372	200	262	34	12xM20	292	196	193	63	45	4	1.900	180
424-200	12	a	70	200	14.700	42.400	420	410	6,5	334	372	200	262	34	12xM20	292	196	193	63	45	4	1.900	180

Ordering example: TNT 2420

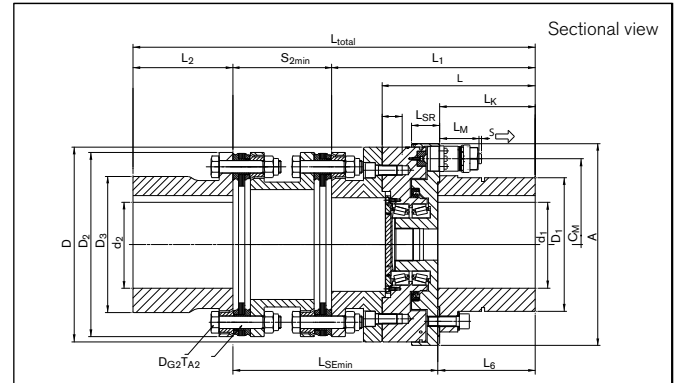
Type	Size	d ₁	Nm	MO	n _M	Further details
TNT 2420	058-090	60	1850	a	3	*

* Switch disc optional

TSCHAN® Backlash-free Safety Couplings

Type TNT 2424

rigid disc coupling with keyway-hubs


Dimensions
 n_M = Number of modules

MO = Modul version

 d_{1kmin} = Min. bore diameter with keyway
acc. DIN 6885-1

 d_{1kmax} = Max. bore diameter with keyway
acc. DIN 6885-1

 d_{2kmin} = Min. bore diameter with keyway

 d_{2kmax} = Max. bore diameter with keyway

A = Max. outer diameter

 C_M = Pitch circle diameter of module range

D = Outer diameter

 D_1 = Outer diameter hub

 D_2 = Outer diameter hub

 D_3 = Outer diameter hub

 L_{total} = Total length (several parts)

L = Overall length

 L_1 = Length of coupling

 L_2 = Length of the hub

 L_6 = Length of basic part

 L_K = Length of coupling hub

 L_M = Protruding module length

 L_{SR} = Outer length shifting ring

 L_{SEmin} = Min. shaft distance

Size	n_M	MO	d_{1kmin}	d_{1kmax}	d_{2kmin}	d_{2kmax}	A	C_M	D	D_1	D_2	D_3	L_{total}	L	L_1	L_2	L_6	L_K	L_M	L_{SR}	L_{SEmin}
	pcs.		mm	mm	mm	mm	mm	mm	mm	mm	mm	mm	mm	mm	mm	mm	mm	mm	mm	mm	mm
058-090	4	a	25	90	30	110*	200	154	198,5	120	198,5	141	424	180	236	90	92	102	63	40	229
058-090	4	b	25	90	30	110*	200	154	198,5	120	198,5	141	424	180	236	90	92	102	63	40	229
058-090	4	c	25	90	30	110*	200	154	198,5	120	198,5	141	424	180	236	90	92	102	63	40	229
110-120	3	a	40	110	40	120	242	194	234	148	234	169	512	200	265	125	119	116	63	40	268
110-120	3	b	40	110	40	120	242	194	234	148	234	169	512	200	265	125	119	116	63	40	268
110-120	6	a	40	110	40	120	242	194	234	148	234	169	512	200	265	125	119	116	63	40	268
227-160	3	a	55	160	60	160	312	266	300	214	300	218	644	245	326	160	156	153	63	55	328
227-160	3	b	55	160	60	160	312	266	300	214	300	218	644	245	326	160	156	153	63	55	328
227-160	6	a	55	160	60	160	312	266	300	214	300	218	644	245	326	160	156	153	63	55	328
227-160	9	a	55	160	60	160	312	266	300	214	300	218	644	245	326	160	156	153	63	55	328
424-200	3	a	70	200	80	200	420	372	364	262	345	274	776	292	387	200	196	193	63	70	380
424-200	3	b	70	200	80	200	420	372	364	262	345	274	776	292	387	200	196	193	63	70	380
424-200	6	a	70	200	80	200	420	372	364	262	345	274	776	292	387	200	196	193	63	70	380
424-200	9	a	70	200	80	200	420	372	364	262	345	274	776	292	387	200	196	193	63	70	380
424-200	12	a	70	200	80	200	420	372	364	262	345	274	776	292	387	200	196	193	63	70	380

