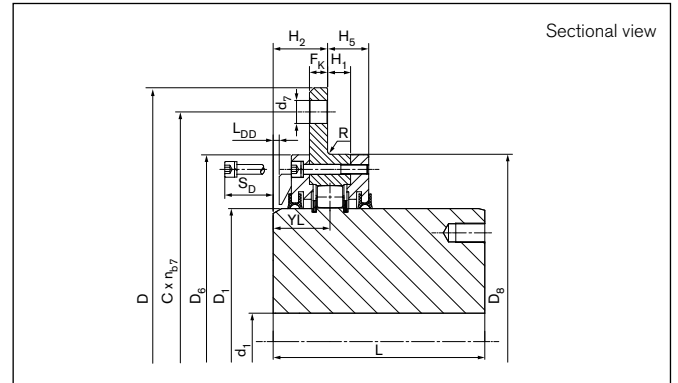
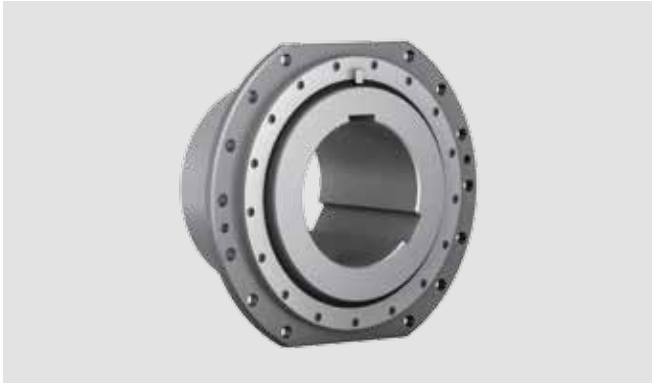


TSCHAN® Barrel Couplings

Type TK

Basic design



Dimensions / Technical data

T_{Kmax} = Max. transmissible torque of the coupling
F_{rad} = Admissible force radial
d_{1kmin} = Min. bore diameter d₁ with keyway acc. to DIN 6885-1
d_{1kmax} = Max. bore diameter d₁ with keyway acc. to DIN 6885-1
D = Outer diameter

L = Total length
L_{min} = Minimum length
D₁ = Outer diameter hub
D₆ = Diameter
D₈ = Outer diameter
H₁ = Length

R = Radius
H₂ = Distance
F_K = Flange thickness
H₅ = Distance
YL = Distance

Identifier	Size	T _{Kmax} Nm	F _{rad} N	d _{1kmin} mm	d _{1kmax} mm	D mm	L mm	L _{min} mm	D ₁ mm	D ₆ mm	D ₈ mm	H ₁ mm	R mm	H ₂ mm	F _K mm	H ₅ mm	YL mm
WG7025	25	4700	14500	20	66	250	95	85	95	159	160	16	2,5	42	12	31	44,0
WG7028	50	6200	16500	20	77	280	100	85	110	179	180	16	2,5	42	12	31	44,0
WG7032	75	7800	18500	20	88	320	110	95	125	199	200	17	2,5	45	15	32	46,0
WG7034	100	10000	20000	20	98	340	125	95	140	219	220	17	2,5	45	15	32	46,0
WG7036	130	16000	31000	47	112	360	130	95	160	239	240	19	2,5	45	15	34	47,0
WG7038	160	20000	35000	47	126	380	145	95	180	259	260	19	2,5	45	15	34	47,0
WG7040	200	24000	38500	47	140	400	170	95	200	279	280	19	2,5	45	15	34	47,0
WG7042	300	28500	42000	47	155	420	175	95	220	309	310	19	2,5	45	15	34	47,0
WG7045	400	39000	49000	47	183	450	185	120	260	339	340	22	2,5	60	20	40	61,0
WG7051	500	64000	94000	77	210	510	220	125	295	399	400	22	2,5	60	20	42	61,0
WG7055	600	78000	118000	77	220	550	240	125	310	419	420	22	2,5	60	20	42	61,0
WG7058	1000	127000	129000	102	250	580	260	130	350	449	450	22	2,5	60	20	42	61,0
WG7065	1500	180000	150000	102	295	650	315	140	415	529	530	27	2,5	65	25	47	66,0
WG7066	2100	275000	245000	102	305	665	330	145	430	544	545	34	4,0	65	25	54	69,5
WG7068	2600	328500	265000	102	315	680	350	145	445	559	560	34	4,0	65	25	54	69,5
WG7071	3400	400000	300000	178	335	710	380	165	475	599	600	34	4,0	81	35	59	85,5
WG7078	4200	500000	340000	208	380	780	410	165	535	669	670	34	4,0	81	35	59	85,5
WG7085	6200	685000	380000	238	425	850	450	165	600	729	730	34	4,0	81	35	59	85,5



TSCHAN® Barrel Couplings

Type TK

Dimensions / Technical data

- | | | |
|---|--|---|
| C = Pitch circle diameter | S_D = Disassembly space | J_{sb} = Moment of inertia at smallest bore diameter |
| n_{b7} = Quantity of bore d ₇ | G_G = Whitworth thread | GW_{sb} = Weight at smallest bore diameter |
| d₇ = Bore diameter | L_{DD} = Distance dimension | |
| S (h9/F8) = Distance of the flattening | X_a = Axial gap max. | |

Identifier	Size	C	n _{b7}	d ₇	S (h9/F8)	S _D	G _G	L _{DD}	X _a	J _{sb}	GW _{sb}
		mm	pcs.	mm	mm	mm	mm	inch	mm	mm	10 ⁻³ kgm ²
WG7025	25	220	10	15	220	50	G1/8	5	+/-3	60	12
WG7028	50	250	10	15	250	50	G1/8	5	+/-3	90	16
WG7032	75	280	10	19	280	60	G1/8	5	+/-4	170	23
WG7034	100	300	10	19	300	60	G1/8	5	+/-4	230	29
WG7036	130	320	10	19	320	60	G1/8	5	+/-4	320	35
WG7038	160	340	10	19	340	60	G1/8	5	+/-4	440	45
WG7040	200	360	10	19	360	60	G1/8	5	+/-4	610	59
WG7042	300	380	10	19	380	60	G1/8	5	+/-4	850	73
WG7045	400	400	10	24	400	70	G1/4	9	+/-4	1450	101
WG7051	500	460	10	24	460	70	G1/4	7	+/-6	2860	152
WG7055	600	500	10	24	500	70	G1/4	7	+/-6	3730	180
WG7058	1000	530	14	24	530	70	G1/4	7	+/-6	5350	228
WG7065	1500	600	14	24	580	80	G1/4	7	+/-6	11640	379
WG7066	2100	615	26	24	590	90	G1/4	7	+/-6	13790	426
WG7068	2600	630	26	24	600	90	G1/4	7	+/-6	16070	477
WG7071	3400	660	26	28	640	90	G1/4	13	+/-8	22730	545
WG7078	4200	730	26	28	700	90	G1/4	13	+/-8	35260	725
WG7085	6200	800	26	28	760	90	G1/4	13	+/-8	59650	961

Ordering example: TSCHAN® TK

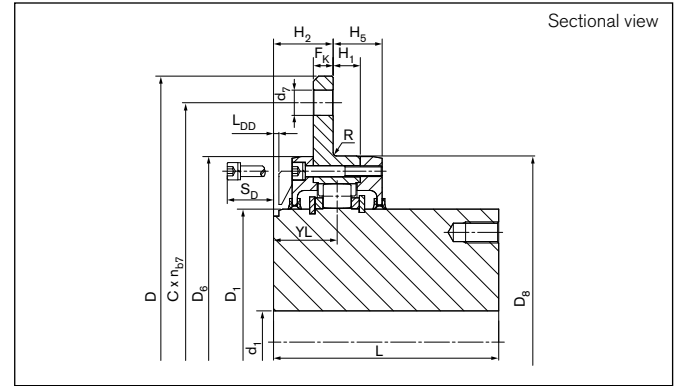
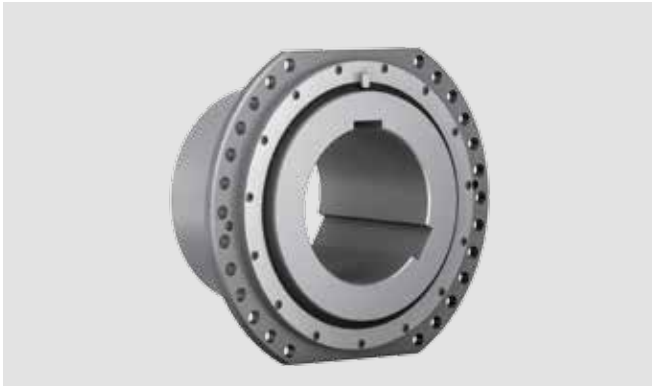
Identifier	Size	d _{1k}	Further Details
WG7065	1500	140	*



TSCHAN® Barrel Couplings

Type TKSG

Construction and design acc. to Operating sheet of German Steel Iron Industrie SEB 666212



Dimensions / Technical data

- | | | |
|---|---|---|
| T_{Kmax} = Max. transmissible torque of the coupling | L = Total length | R = Radius |
| F_{rad} = Admissible force radial | L_{min} = Minimum length | H₂ = Distance |
| d_{1kmin} = Min. bore diameter d ₁ with keyway acc. to DIN 6885-1 | D₁ = Outer diameter hub | F_K = Flange thickness |
| d_{1kmax} = Max. bore diameter d ₁ with keyway acc. to DIN 6885-1 | D₆ = Diameter | H₅ = Distance |
| D = Outer diameter | D₈ = Outer diameter | YL = Distance |
| | H₁ = Length | |

Identifier	SEB 666212	Size	T _{Kmax}	F _{rad}	d _{1kmin}	d _{1kmax}	D	L	L _{min}	D ₁	D ₆	D ₈	H ₁	R	H ₂	F _K	H ₅	YL
			Nm	N	mm	mm	mm	mm	mm	mm	mm	mm	mm	mm	mm	mm	mm	mm
WG7240	SG130	200	24000	38500	47	140	400	170	100	200	279	280	20,5	2,5	45	15	37,0	48,0
WG7242	(*)	300	28500	42000	47	155	420	175	100	220	309	310	25,0	2,5	45	15	40,0	50,0
WG7245	SG140	400	39000	49000	47	183	450	185	120	260	339	340	21,0	2,5	60	20	39,0	60,5
WG7251	(*)	500	64000	94000	77	210	510	220	135	295	399	400	29,0	2,5	60	20	49,0	64,5
WG7255	SG185	600	78000	118000	77	220	550	240	135	310	419	420	29,0	2,5	60	20	49,0	64,5
WG7258	SG200	1000	127000	129000	102	250	580	260	140	350	449	450	29,5	2,5	60	20	49,5	65,0
WG7265	SG240	1500	180000	150000	102	295	650	315	145	415	529	530	31,5	2,5	65	25	51,5	68,5
WG7266	(*)	2100	275000	245000	102	305	665	330	155	430	544	545	43,0	4,0	65	25	64,0	74,0
WG7268	SG270	2600	328500	265000	102	315	680	350	155	445	559	560	43,0	4,0	65	25	64,0	74,0
WG7271	SG315	3400	400000	300000	178	335	710	380	175	475	599	600	38,0	4,0	81	35	63,0	86,0
WG7278	SG355	4200	500000	340000	208	380	780	410	175	535	669	670	40,0	4,0	81	35	66,0	87,5
WG7285	SG400	6200	685000	380000	238	425	850	450	175	600	729	730	42,0	4,0	81	35	66,0	87,5

*Construction and design acc. to operation sheet of German Steel Iron Industry SEB 666212



TSCHAN® Barrel Couplings

Type **TKSG**

Dimensions / Technical data

C	= Pitch circle diameter	S_D	= Disassembly space	J_{sb}	= Moment of inertia at smallest bore diameter
n_{b7}	= Quantity of bore d ₇	G_G	= Whitworth thread	G_{w_{sb}}	= Weight at smallest bore diameter
d₇	= Bore diameter	L_{DD}	= Distance dimension		
S (h9/F8)	= Distance of the flattening	X_a	= Axial gap max.		

Identifier	Size	C	n _{b7}	d ₇	S (h9/F8)	S _D	G _G	L _{DD}	X _a	J _{sb}	G _{w_{sb}}
		mm	pcs.	mm	mm	mm	inch	mm	mm	10 ⁻³ kgm ²	kg
WG7240	200	360	10	19	360	60	G1/8	4	+/-4	630	60
WG7242	300	380	10	19	380	60	G1/8	5	+/-4	870	74
WG7245	400	400	10	24	400	70	G1/4	9	+/-4	1450	101
WG7251	500	460	10	24	460	70	G1/4	7	+/-6	2920	154
WG7255	600	500	10	24	500	70	G1/4	7	+/-6	3790	182
WG7258	1000	530	14	24	530	70	G1/4	7	+/-6	5410	227
WG7265	1500	600	14	24	580	80	G1/4	7	+/-6	11680	380
WG7266	2100	615	26	24	590	90	G1/4	6	+/-6	13900	427
WG7268	2600	630	26	24	600	90	G1/4	6	+/-6	16550	478
WG7271	3400	660	26	28	640	90	G1/4	10	+/-8	22930	548
WG7278	4200	730	26	28	700	90	G1/4	10	+/-8	37480	725
WG7285	6200	800	26	28	760	90	G1/4	10	+/-8	59580	960

Ordering example: TSCHAN® TKSG

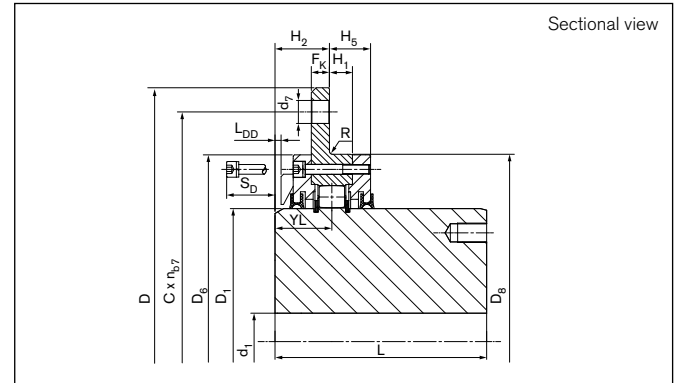
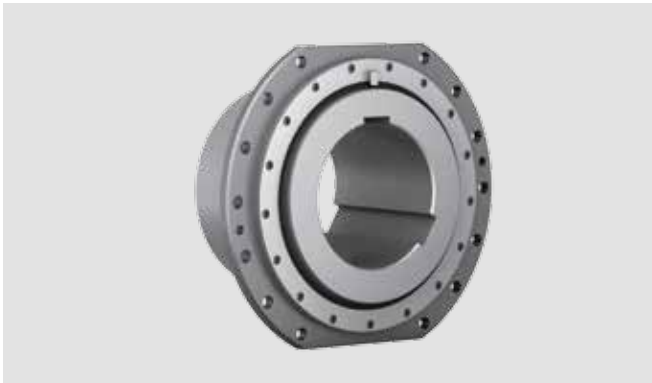
Identifier	Size	d _{1k}	Further Details
WG7255	600	100	*



TSCHAN® Barrel Couplings

Type TKV

Power improved design



Dimensions / Technical data

- | | | |
|---|---|---|
| T_{Kmax} = Max. transmissible torque of the coupling | L = Total length | R = Radius |
| F_{rad} = Admissible force radial | L_{min} = Minimum length | H₂ = Distance |
| d_{1kmin} = Min. bore diameter d ₁ with keyway acc. to DIN 6885-1 | D₁ = Outer diameter hub | F_K = Flange thickness |
| d_{1kmax} = Max. bore diameter d ₁ with keyway acc. to DIN 6885-1 | D₆ = Diameter | H₅ = Distance |
| D = Outer diameter | D₈ = Outer diameter | YL = Distance |
| | H₁ = Length | |

Identifier	Size	T _{Kmax}	F _{rad}	d _{1kmin}	d _{1kmax}	D	L	L _{min}	D ₁	D ₆	D ₈	H ₁	R	H ₂	F _K	H ₅	YL
		Nm	N	mm	mm	mm	mm	mm	mm	mm	mm	mm	mm	mm	mm	mm	mm
WG7125	25	6500	17500	20	66	250	95	85	95	159	160	16	2,5	42	12	31	44,0
WG7128	50	8400	20000	20	77	280	100	85	110	179	180	16	2,5	42	12	31	44,0
WG7132	75	10500	21500	20	88	320	110	95	125	199	200	17	2,5	45	15	32	46,0
WG7134	100	16000	28000	20	98	340	125	95	140	219	220	17	2,5	45	15	32	46,0
WG7136	130	21500	37000	47	112	360	130	95	160	239	240	19	2,5	45	15	34	47,0
WG7138	160	27000	42500	47	126	380	145	95	180	259	260	19	2,5	45	15	34	47,0
WG7140	200	31500	48000	47	140	400	170	95	200	279	280	19	2,5	45	15	34	47,0
WG7142	300	39000	53000	47	155	420	175	95	220	309	310	19	2,5	45	15	34	47,0
WG7145	400	53500	75000	47	183	450	185	120	260	339	340	22	2,5	60	20	40	61,0
WG7151	500	91000	118000	77	210	510	220	125	295	399	400	22	2,5	60	20	42	61,0
WG7155	600	127000	132000	77	220	550	240	125	310	419	420	22	2,5	60	20	42	61,0
WG7158	1000	180000	145000	102	250	580	260	130	350	449	450	22	2,5	60	20	42	61,0
WG7165	1500	241000	184000	102	295	650	315	140	415	529	530	27	2,5	65	25	47	66,0
WG7166	2100	360000	283000	102	305	665	330	145	430	544	545	34	4,0	65	25	54	69,5
WG7168	2600	425000	330000	102	315	680	350	145	445	559	560	34	4,0	65	25	54	69,5
WG7171	3400	529000	366000	178	335	710	380	165	475	599	600	34	4,0	81	35	59	85,5
WG7178	4200	660000	420000	208	380	780	410	165	535	669	670	34	4,0	81	35	59	85,5
WG7185	6200	815000	490000	238	425	850	450	165	600	729	730	34	4,0	81	35	59	85,5



